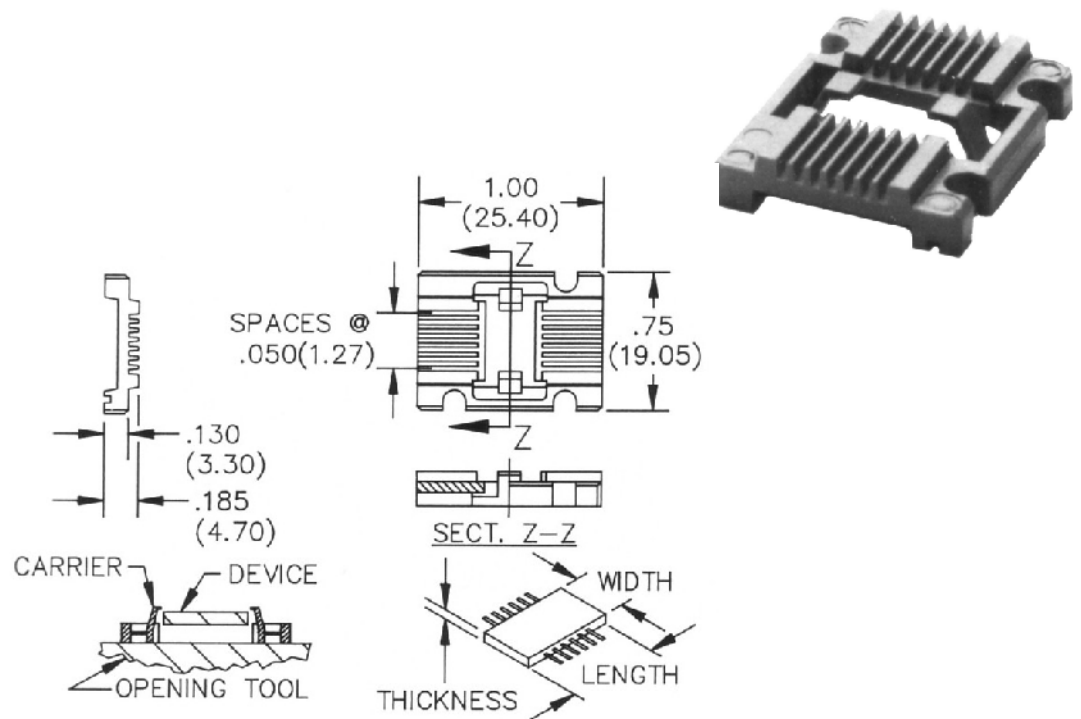




# 3/4" X 1" CARRIER FOR STRAIGHT LEAD FLATPACK DEVICES



Consult factory for maximum opening limits

Part Number	Lead Count	Lead Spacing	Device Dimensions (mm)		Notes
			Width	Length	
029-325-OXX	14	.050 (1.27)	.390 (9.65)	.270 (6.68)	
029-330-OXX	14	.050 (1.27)	.380 (9.65)	.270 (6.68)	
029-341-OXX	14	.050 (1.27)	.250 (6.35)	.250 (6.35)	
029-360-OXX	16	.050 (1.27)	.380 (9.65)	.287 (7.29)	
029-361-OXX	16	.030 (0.76)	.250 (6.35)	.210 (5.33)	Consult Factory
029-340-OXX	18	.050 (1.27)	.410 (10.41)	.320 (8.13)	Consult Factory
029-622-OXX	18	.050 (1.27)	.350 (8.89)	.440 (11.18)	
029-348-OXX	18	.050 (1.27)	.450 (11.43)	.375 (9.53)	
029-316-OXX	20	.050 (1.27)	.500 (12.70)	.285 (7.24)	Consult Factory
029-318-OXX	20	.050 (1.27)	.490 (12.45)	.350 (8.89)	Consult Factory
029-339-OXX	20	.050 (1.27)	.500 (12.70)	.350 (8.89)	Consult Factory
029-352-OXX	20	.050 (1.27)	.500 (12.70)	.270 (6.86)	
029-337-OXX	20	.030 (0.76)	.300 (7.62)	.200 (5.08)	Consult Factory
029-373-OXX	20	.050 (1.27)	.505 (12.38)	.320 (8.13)	
029-364-OXX	22	.030 (0.76)	.360 (9.14)	.540 (13.72)	Consult Factory
029-353-OXX	24	.050 (1.27)	.500 (12.70)	.270 (6.86)	
029-379-OXX	24	.030 (0.76)	.540 (13.72)	.380 (9.65)	Consult Factory
029-383-OXX	24	.030 (0.76)	.370 (9.40)	.540 (13.72)	Consult Factory
029-301-OXX	24	.030 (0.76)	.540 (13.72)	.380 (9.65)	Consult Factory
029-387-OXX	28	.030 (0.76)	.450 (11.43)	.550 (13.97)	
029-389-OXX*	32	N/A	.550 (13.97)	.450 (11.43)	Consult Factory

\* Ceramic leadless chip carrier