



SINGLE SITE iSOCKET TMA-12-2-XXXX

MCC Compatible (Active Control) TMA-12-2-XXXX

- Clamshell Architecture
- Vertically actuated (pure-Z) for no device scrubbing or marking
- Usable on various open top sockets
- Reusable
- Easy board attachment
- Standard Footprints

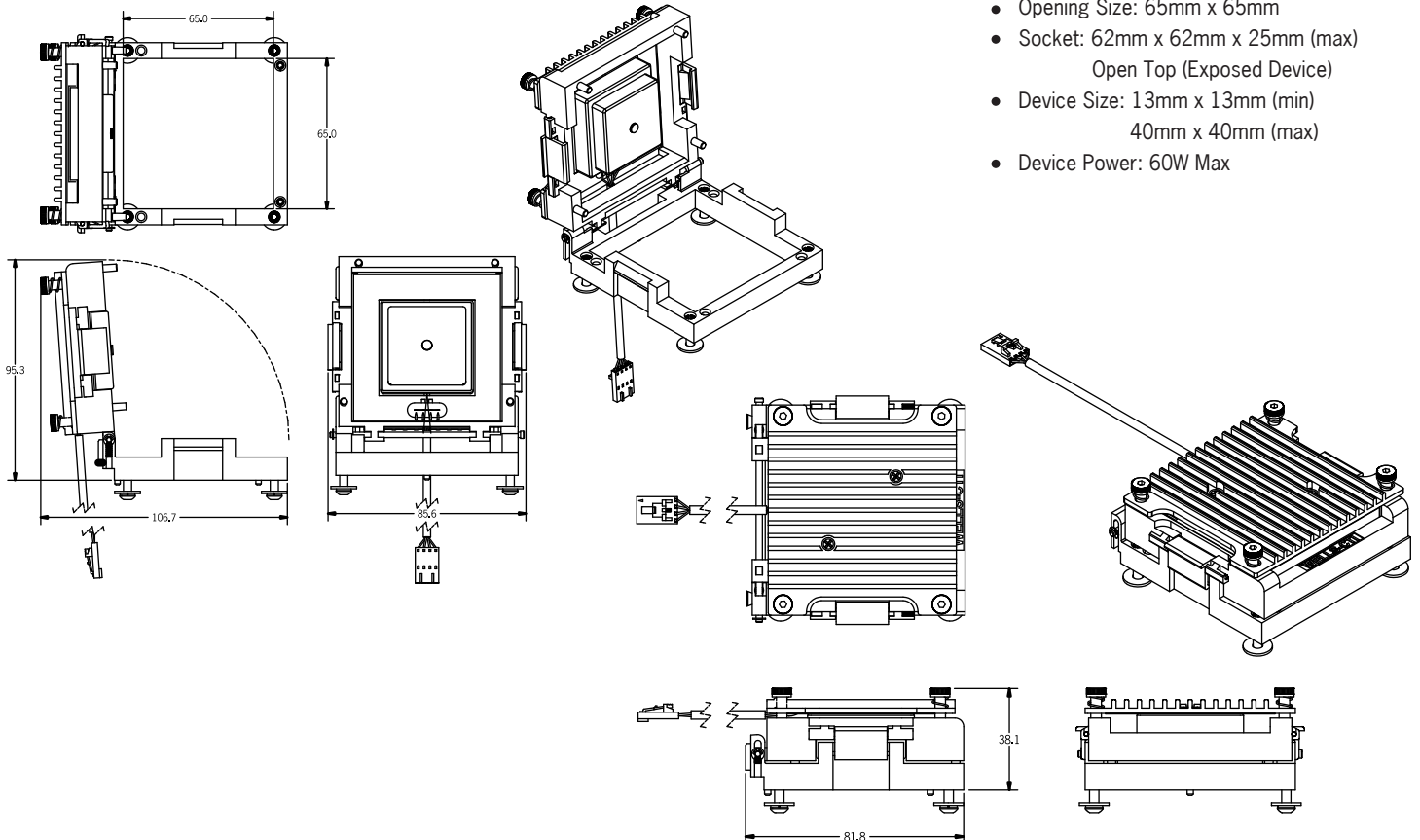


DESCRIPTION & ORDERING INFORMATION

TMA - 12 - 2 - XXXX

Chamber Designation:
Non-Specific (Single Site)
12 = Large Form Factor

Product Functionality:
2 = MCC Compatible



MATERIALS & SPECIFICATIONS

- Body: PEI
- Durability: 10,000 lid closures
- Opening Size: 65mm x 65mm
- Socket: 62mm x 62mm x 25mm (max)
Open Top (Exposed Device)
- Device Size: 13mm x 13mm (min)
40mm x 40mm (max)
- Device Power: 60W Max